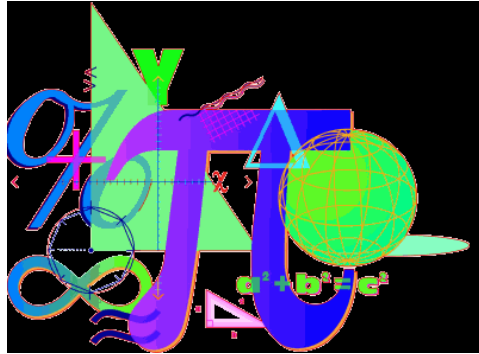




Haslingden High School
Mathematics Faculty
HOMEWORK BOOKLET
Year 7 Extension



Name: _____ Form: _____

Maths Teacher: _____

Date Given: _____ Date to Hand in: _____

Mark:

Effort:

House Points:

	Topic	WWW	IOTI
Monday	Fractions and percentages		
Tuesday	Area and perimeter		
Wednesday	Multiplying and dividing by 10, 100 and 1000		
Thursday	Multiplying and dividing		
Friday	Rounding and estimating		

Glue here

Close the gap

Instructions.

No calculator is allowed on any part of this homework.



Remember to show all your working out.

If you struggle with any part of this homework, go to www.mymaths.co.uk and search for the topic name. Click on the lesson to help.

General login

Login: haslingden

Password:

My personal login

Login:

Password:

Monday: Fractions and Percentages



Skills check (12 marks)

- | | |
|-----------------------|---------------------------------|
| 1) 50% of 70 | 7) $\frac{1}{4}$ of 32 = |
| 2) 25% of 120 = | 8) $\frac{1}{3}$ of 12 = |
| 3) 75% of 80 = | 9) $\frac{1}{5}$ of 30 = |
| 4) 10% of 80 = | 10) $\frac{1}{7}$ of 42 = |
| 5) 20% of 80 = | 11) $\frac{2}{3}$ of 30 = |
| 6) 15% of 200 = | 12) $\frac{4}{5}$ of 25 = |

Challenge (4 marks)

Celina and Zoe both sing in a band.

One evening the band plays for 80 minutes.

Celina sings for 65% of the 80 minutes.

Zoe sings for $\frac{5}{8}$ of the 80 minutes.

Celina sings for more minutes than Zoe sings.

Work out for how many more minutes.

You must show all your working.

Score /16

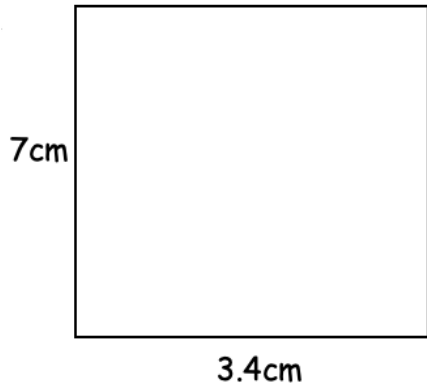
Tuesday: Perimeter and Area



Skills check (10 marks)

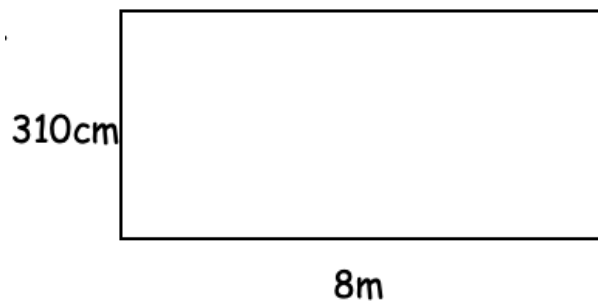
1. Find the perimeter and area of each shape. Don't forget units!

a)



Area =

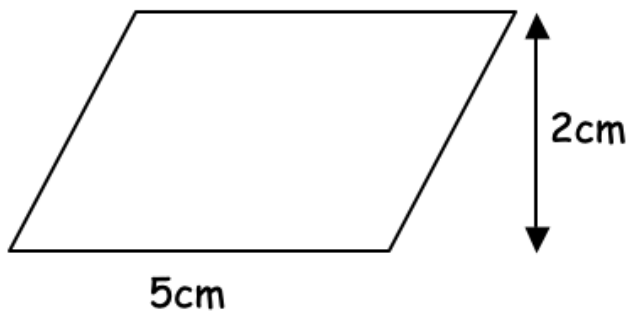
Perimeter =



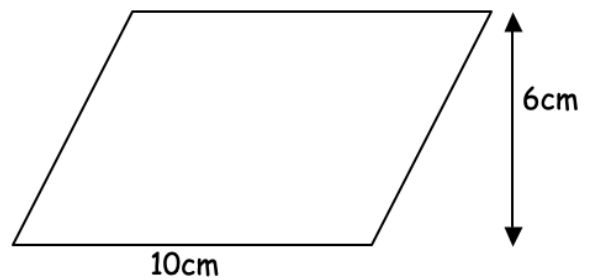
Area =

Perimeter =

b)

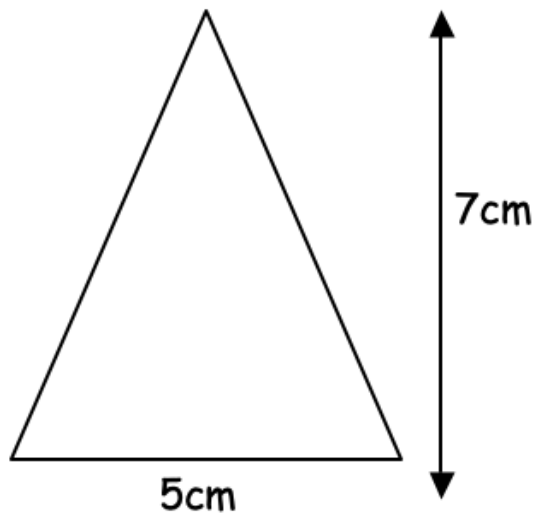


Area =

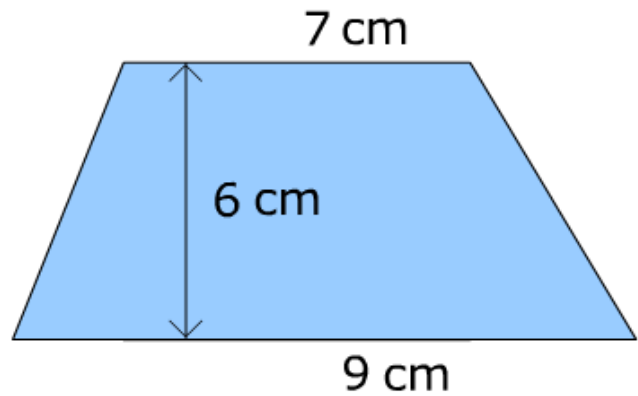


Area =

2. Find the area of each shape. Don't forget units!



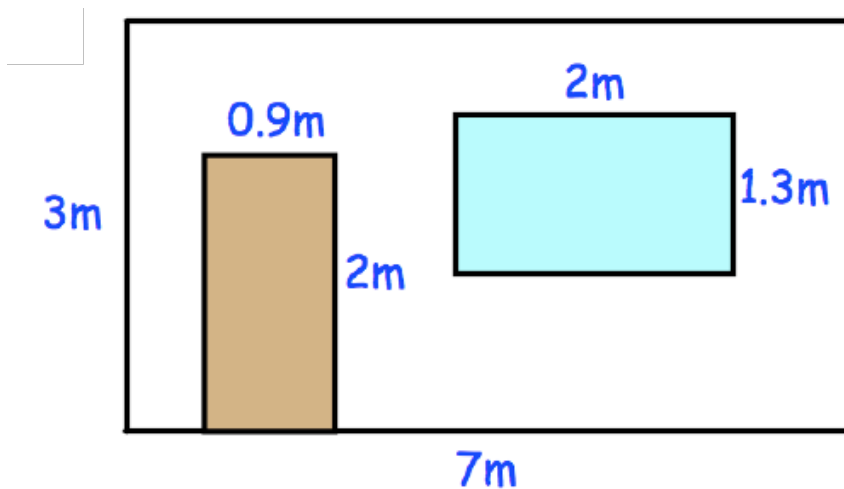
Area =



Area =

Challenge (3 marks)

Connor is painting the front of his house.
The tin of paint he has can cover 16m^2
Will he have enough paint? You must show your working



Score
/11

Wednesday: Multiplying/Dividing by 10, 100, 1000



Skills check (12 marks)

1) $5 \times 100 =$

7) $140 \div 10 =$

2) $980 \times 100 =$

8) $2600 \div 100 =$

3) $160 \times 10 =$

9) $60500 \div 100 =$

4) $1.7 \times 10 =$

10) $912 \div 10 =$

5) $91.3 \times 100 =$

11) $45.01 \div 10 =$

6) $2.06 \times 100 =$

12) $71.3 \div 10 =$

Challenge (5 marks)

$85 \times \square = 8500$

$\square \times 1000 = 400$

$\square \times 10 = 457.1$

$1900 \div \square = 19$

$\square \div 10 = 0.05$

Score
/17

Thursday: Multiplying and Dividing



Skills check (5 marks)

Use the grid or column method to answer the following questions.

No working = no marks

a) 12×42

b) 28×63

c) 139×38

Use the bus stop method to answer the following questions.

No working = no marks

a) $608 \div 8$

b) $6153 \div 7$

Challenge (2 marks)

You are given that $358 \times 26 = 9308$

Use this information to find answers to

a) $3580 \times 260 =$

b) $3.58 \times 2.6 =$

Score /7

Friday - Rounding



Skills check (12 marks)

1. Round the following numbers to the nearest:

a) 10

b) 100

c) 1000

- | | | | |
|----------|-------|-------|-------|
| a) 1484 | | | |
| b) 14794 | | | |

2. Round the following numbers to the nearest:

a) 1dp

b) 2dp

- | | | |
|------------|-------|-------|
| a) 6.245 | | |
| b) 24.2157 | | |
| c) 0.0692 | | |

Challenge (2 marks)

A sign says there are 230 people that live in a village, correct to the nearest 10.

- What is the lowest possible number of people that live in the village?
- What is the greatest possible number of people that live in the village?

Score /14

Weekend Activity - Money Problem

Skills check (4 marks)

1. A bag of sweets cost 65p. What is the maximum amount of bags you can buy with £5?
2. Jon buys 8 packets of toilet roll at £3.78 each. What change will he get if he pays with two £20 notes.
3. A shop sells doughnuts in two different size bags

Small bag Contents 3 doughnuts

£1.08

Large bag Contents 5 doughnuts

£1.70

Which is the better value for money?
You must show all your working.

Score /4
