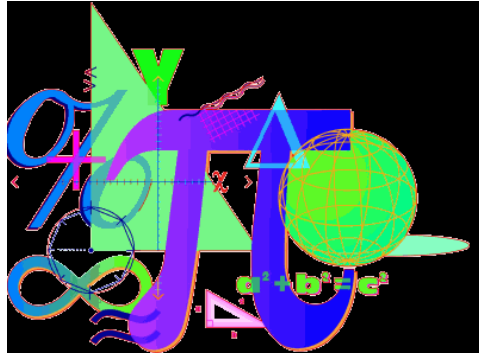




Haslingden High School  
Mathematics Faculty  
HOMEWORK BOOKLET  
Year 7 Core



Name: \_\_\_\_\_ Form: \_\_\_\_\_

Maths Teacher: \_\_\_\_\_

Date Given: \_\_\_\_\_ Date to Hand in: \_\_\_\_\_

Mark:

Effort:

House Points:

	Topic	WWW	IOTI
Monday	Fractions and percentages		
Tuesday	Area and perimeter		
Wednesday	Multiplying and dividing by 10, 100 and 1000		
Thursday	Multiplying and dividing		
Friday	Rounding and estimating		

Glue here

Close the gap

# Instructions.

No calculator is allowed on any part of this homework.



Remember to show all your working out.

If you struggle with any part of this homework, go to [www.mymaths.co.uk](http://www.mymaths.co.uk) and search for the topic name. Click on the lesson to help.

General login

Login: haslingden

Password:

My personal login

Login:

Password:

## Monday: Fractions and Percentages



### Skills check (12 marks)

- |                       |                                 |
|-----------------------|---------------------------------|
| 1) 50% of 70 .....    | 7) $\frac{1}{4}$ of 32 = .....  |
| 2) 25% of 120 = ..... | 8) $\frac{1}{3}$ of 12 = .....  |
| 3) 75% of 80 = .....  | 9) $\frac{1}{5}$ of 30 = .....  |
| 4) 10% of 80 = .....  | 10) $\frac{1}{7}$ of 42 = ..... |
| 5) 20% of 80 = .....  | 11) $\frac{2}{3}$ of 30 = ..... |
| 6) 15% of 200 = ..... | 12) $\frac{4}{5}$ of 25 = ..... |

### Challenge (4 marks)

Joanne has 300 sweets.

She gives  $\frac{1}{2}$  of the sweets to Erin.

Joanne gives  $\frac{1}{3}$  of the remaining sweets to William.

How many sweets does Joanne have left?

Score /16
--------------

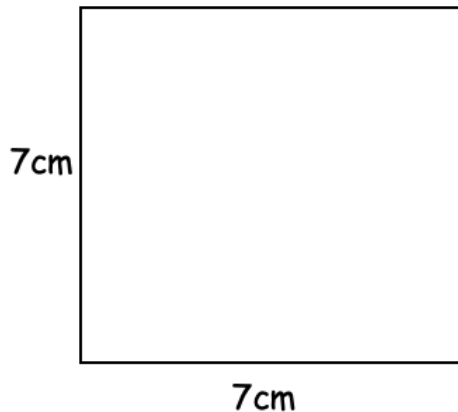
## Tuesday: Perimeter and Area



### Skills check (10 marks)

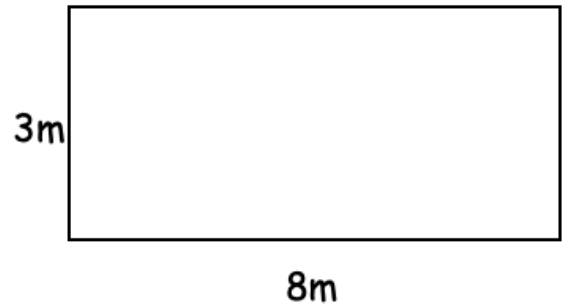
1. Find the perimeter and area of each shape. Don't forget units!

a)



Area =

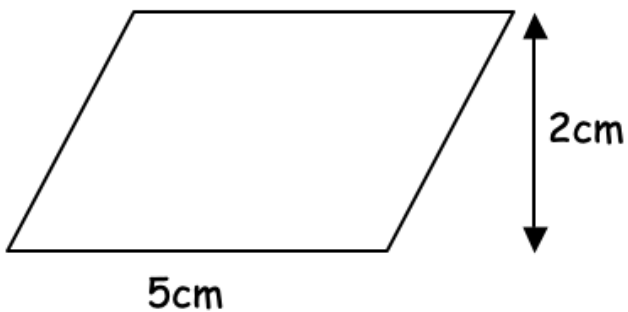
Perimeter =



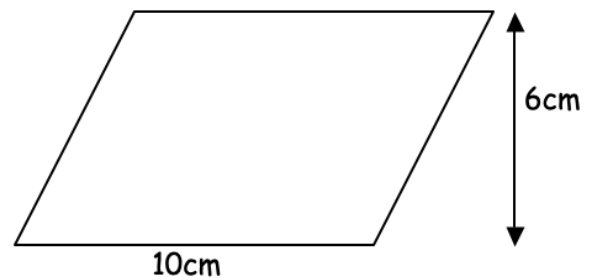
Area =

Perimeter =

b)

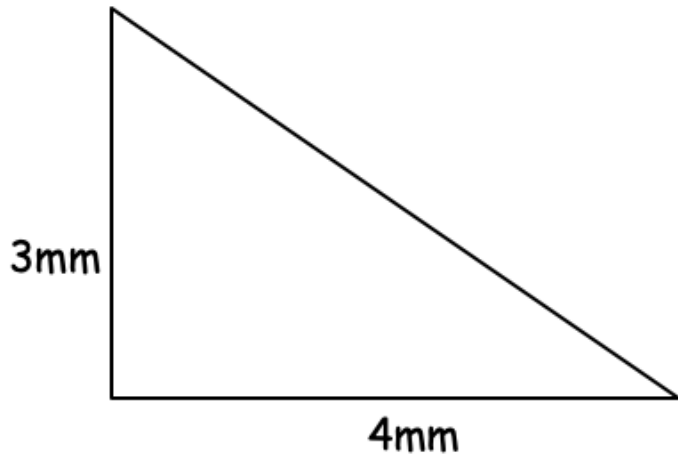


Area =

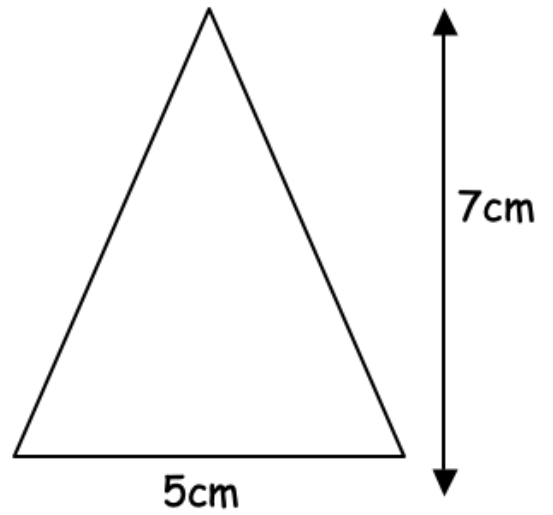


Area =

2. Find the area of each shape. Don't forget units!



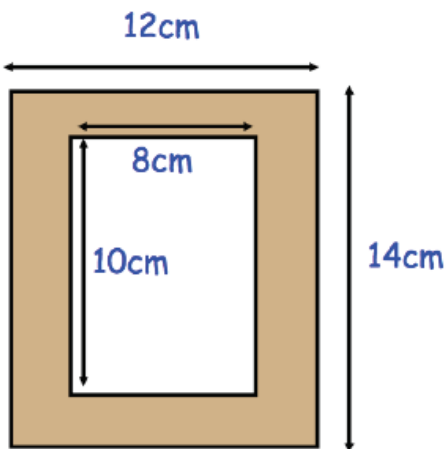
Area =



Area =

**Challenge (3 marks)**

Shown below is a wooden picture frame.



Work out the shaded area.

Score /11
--------------

Wednesday: Multiplying/Dividing by 10, 100, 1000



Skills check (12 marks)

1)  $5 \times 100 =$  .....

7)  $140 \div 10 =$  .....

2)  $980 \times 100 =$  .....

8)  $2600 \div 100 =$  .....

3)  $160 \times 10 =$  .....

9)  $60500 \div 100 =$  .....

4)  $1.7 \times 10 =$  .....

10)  $912 \div 10 =$  .....

5)  $91.3 \times 100 =$  .....

11)  $45.01 \div 10 =$  .....

6)  $2.06 \times 100 =$  .....

12)  $71.3 \div 10 =$  .....

Challenge (5 marks)

$85 \times \square = 8500$

$\square \times 1000 = 400$

$\square \times 10 = 457.1$

$1900 \div \square = 19$

$\square \div 10 = 0.05$

Score  
/17

## Thursday: Multiplying and Dividing



### Skills check (5 marks)

Use the grid or column method to answer the following questions.

No working = no marks

a)  $12 \times 42$

b)  $28 \times 63$

c)  $139 \times 38$

Use the bus stop method to answer the following questions.

No working = no marks

a)  $608 \div 8$

b)  $6153 \div 7$

### Challenge (2 marks)

Timothy saves £34 a week.

Calculate how much money Timothy will save in one year

Score /7
-------------

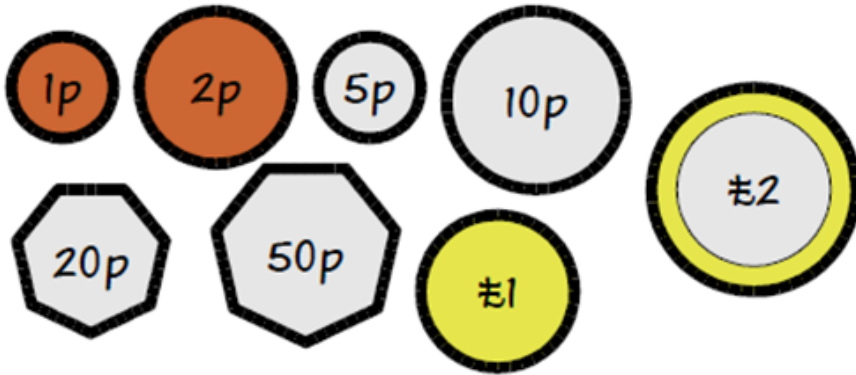




## Weekend Activity - Coins Problem

### Skills check (4 marks)

Here are the coins used in England.



1) Bob has 56p in his pocket. Write down the coins this could be.

2) Stephen buys a bar of chocolate and a drink for £1.31. He pays with the correct money. Write down which coins he could have used.

3) Jade buys a new pencil case costing £1.75. She pays with a £2 coin.

a) How much change does Jade get?

b) Which coins could she be given as her change?

Score /4
-------------